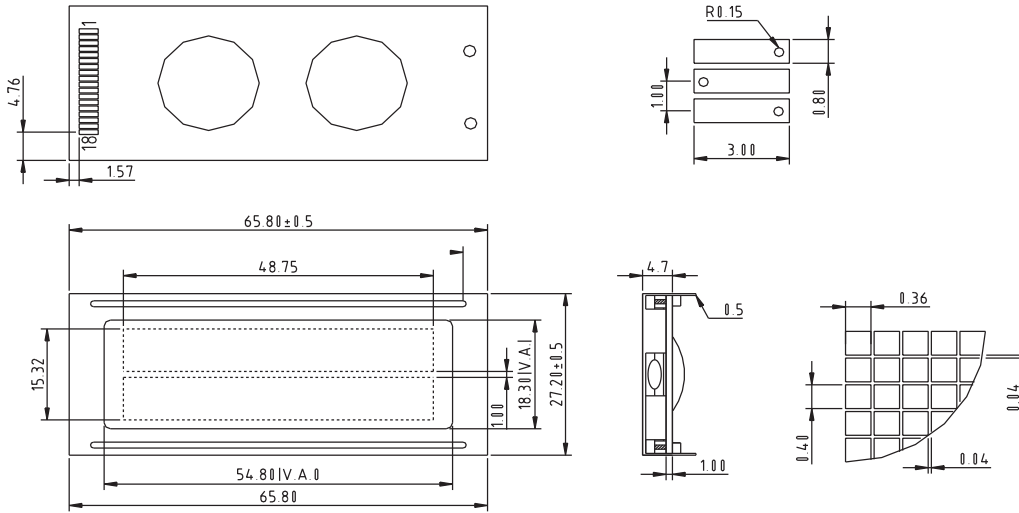
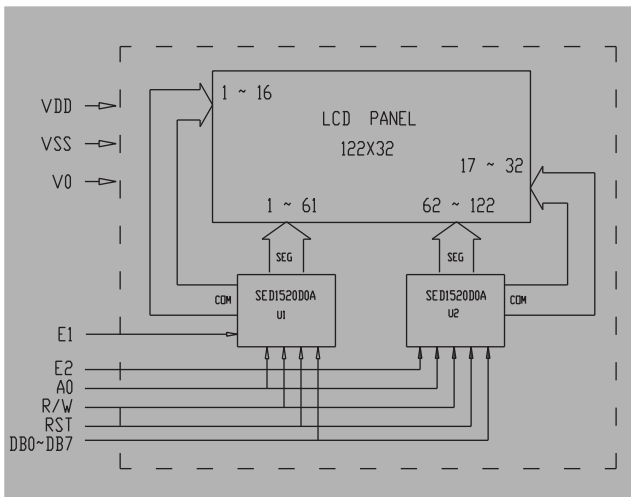


**Outline Dimension**



**Block diagram**



**Feature**

1. 122X32 dots graphic LCD module
2. Built-in controller (SED1520D0A)
3. 5.0V power supply
4. STN; 1/32 duty cycle

**Mechanical Data**

Item	Standard	Unit
Module dimension	65.8x27.20	mm
Viewing area	54.8x18.30	mm
Dot size	0.36x0.40	mm
Dot pitch	0.40x0.44	mm

**Absolute Maximum Rating**

Item	Symbol	Standard			Unit
		Min	Typ	Max	
Power supply	VDD-VSS	-0.3	-----	5.5	V
Input voltage	VI	-0.3	-----	VDD	

**Electronical characteristics**

Item	Symbol	Condition	Standard			Unit
			Min	Typ	Max	
Input voltage	VDD	+5V	4.7	5.0	5.5	V
Supply current	I <sub>DD</sub>	VDD=5V	-----	2.5	-----	
Recommended LCD driving voltage for normal temp version module	VDD-V0	-20°C	-----	-----	-----	V
		0 °C	4.7	5.0	5.5	
		25°C	4.3	4.5	4.7	
		50°C	4.1	4.3	4.5	
LED forward voltage	VF	25°C	-----	-----	-----	V
LED forward current	IF	25°C	-----	-----	-----	mA
EL power supply current	I <sub>EL</sub>	V <sub>EL</sub> =110V AC 400Hz	-----	-----	-----	mA

**Interface pin connections**

PIN NO	Symbol	Function
1	VDD □	+5V
2	VSS	GND
3	V0	Operating voltage for LCD □
4	RST	H/L Reset signal
5	E1	H/LChip enable signal
6	E2	H/LChip enable signal
7	R/W	H/L Read/write
8	A0	H/L H:Data L:Instruction code
9 to 16	DB0 to DB7	H/L Data bus line